

TRUWELL® Deep-Well Plate

Translucent polypropylene (PP) surface with ultra low binding

Our premium ultra high-grade plate, 96-well deep, v-bottom, 2.2mL working volume, square-to-round transition

For use in all magnetic bead applications on KingFisher™ platforms. These plates can be used for Viral RNA extraction, DNA extraction, all nucleic acid purifications, immunoprecipitations and many more magnetic bead applications on KingFisher™ compatible platforms.



RESULTS COUNT

Yield and quality of isolated nucleic acid or proteins are significantly improved with these special AI constructed plates. The ultra low binding surface improves purity and yield by preventing sample and contamination binding. Additionally, these plates are ideal for combinatorial chemistry applications.

BENEFITS

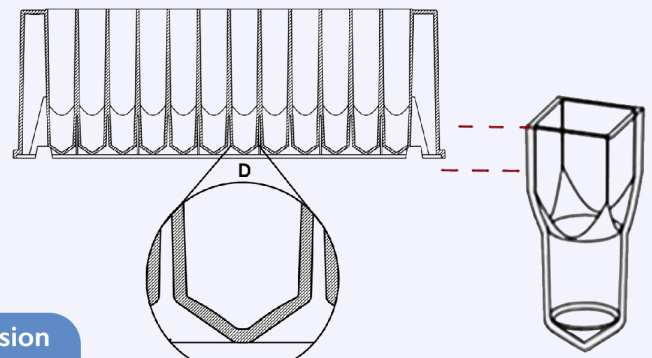
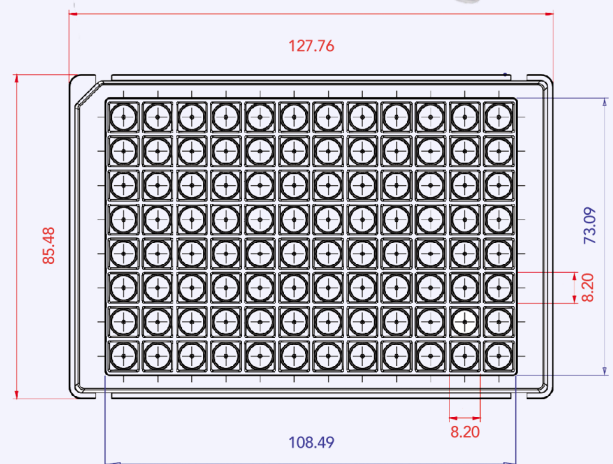
- ✓ Tight specification levels through proprietary AI robotic technology.
- ✓ Made of ultra high-grade virgin polypropylene.
- ✓ Ultra low binding affinity & low leaching for biomolecules.
- ✓ Ideal for stackable magnetic particle processing applications.
- ✓ Square-to-Round transition of the V-bottom to maximize available working volume.
- ✓ Preferred V-bottom design allows maximum liquid update.
- ✓ Offered in Sterile and non-Sterile for technical flexibility.
- ✓ Sterility is traceable.
- ✓ Great for growing bacterial cultures or storing compounds.
- ✓ Proprietary AI robotic manufacturing process ensures the higher tolerances required for automated systems.

SPECIFICATIONS

Thermo Fisher Equivalent	95040450, 95040460
Cap Mat	219036
DNase/RNase Free	Yes
Treatment	Yes
Rim / Raised Edges	Yes
Alphanumeric grid-referencing	Yes (A-H, 1-12)
Stackable Designed	Yes (20-tier)
Storage Temperature	-80°C to 120°C
Height	44mm
Color	Natural

ADDITIONAL INFORMATION

www.AdvancedGeneticSupply.com
inquiry@AdvancedGeneticSupply.com



Volume per Well (mL) [working volume]	Well	Bottom	Sterile	Packaging	Quantity per Case	Model No.
2.2 mL (50µL - 1000µL)	96	V	Yes	bags 10x5	50	814022S
2.2 mL (50µL - 1000µL)	96	V	No	bags 10x5	50	814022N